

GROUND FAULT INTERRUPTER EARTH LEAKAGE CURRENT DETECTOR

IL7101

Description

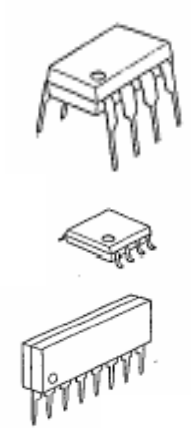
The IL7101N/D is designed for use in earth leakage circuit interrupters for operation directly off the AC Line in breakers.

It contains pre regulator, main regulator, after regulator, differential amplifier, level comparator, latch circuit. The input in the differential amp latch circuit. The input in the differential amplifier is connect to the secondary node of zero current transformer.

The level comparator generates high level when earth leakage current is greater than some level.

Feature

- Low Power Consumption ($P_D=5mW$) 100V/200V
- 100V/200V Common Built-in Voltage Regulator
- High Gain Differential Amplifier
- High Input Sensitivity
- Minimum External Parts
- Large Surge Margin
- Wide Operating Temperature Range ($T_A = -40$ to $85^\circ C$)
- High Noise Immunity
- Meet U. L. 943 standards



ORDERING INFORMATION

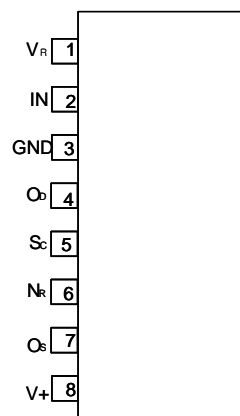
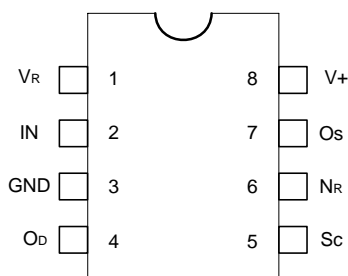
IL7101N Plastic
 IL7101D SOIC
 IL7101S SIP-8

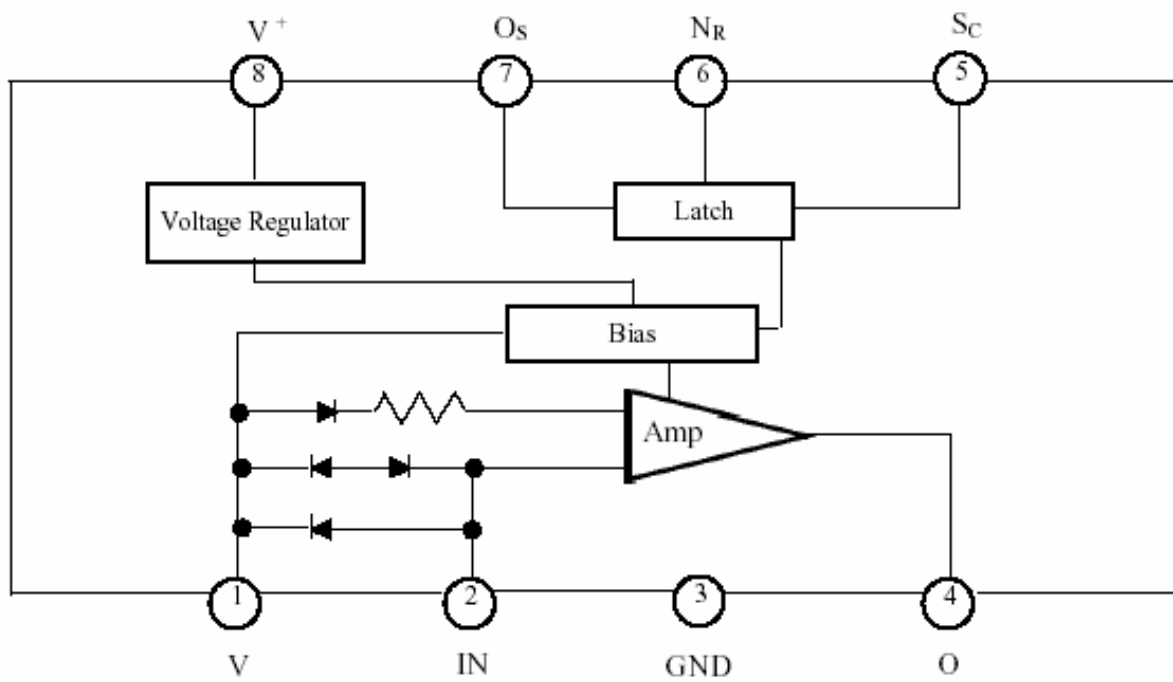
$T_A = -40^\circ$ to $85^\circ C$ for all packages.

Absolute Maximum Ratings

- | | |
|-------------------------|-----------------------|
| ▪ Supply Voltage | 20V |
| ▪ Supply Current | 8mA |
| ▪ Power Dissipation | 200m W |
| ▪ Operating Temperature | - 40 to $85^\circ C$ |
| ▪ Storage Temperature | - 55 to $125^\circ C$ |

Pin Configuration (Top View)



Block Diagram

Recommended Operating Condition: T_A=-30°C to 80°C

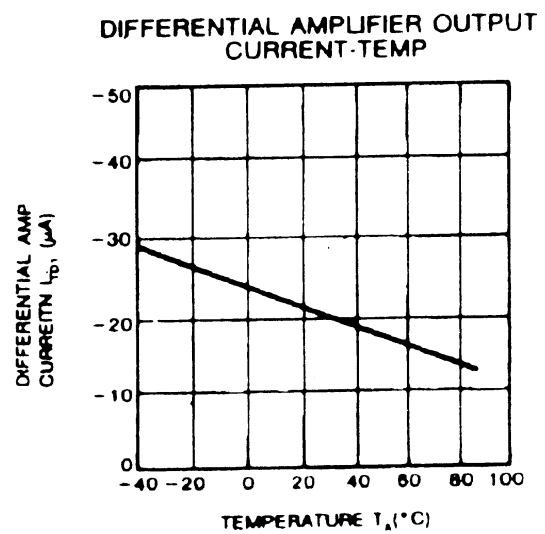
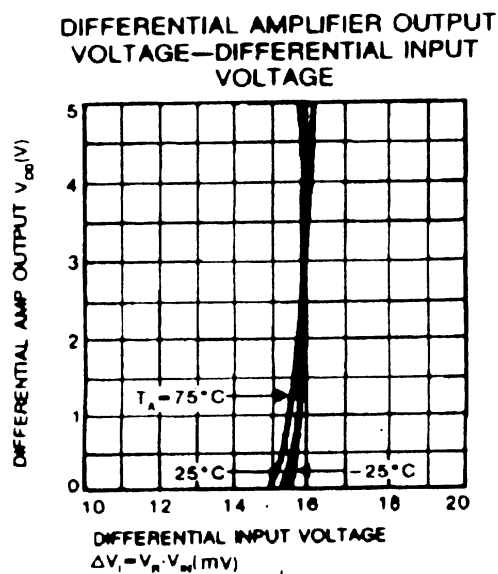
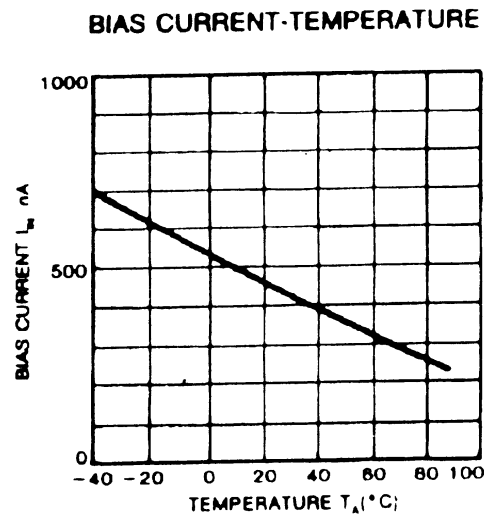
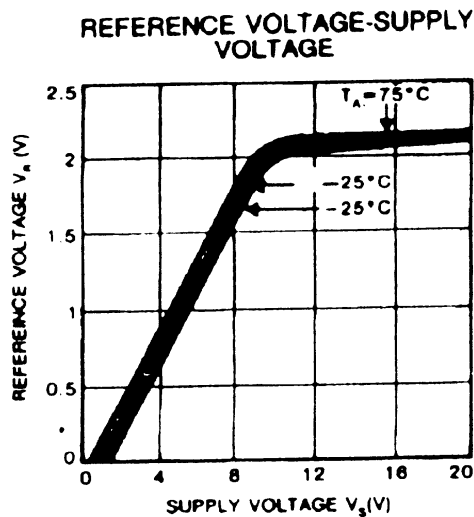
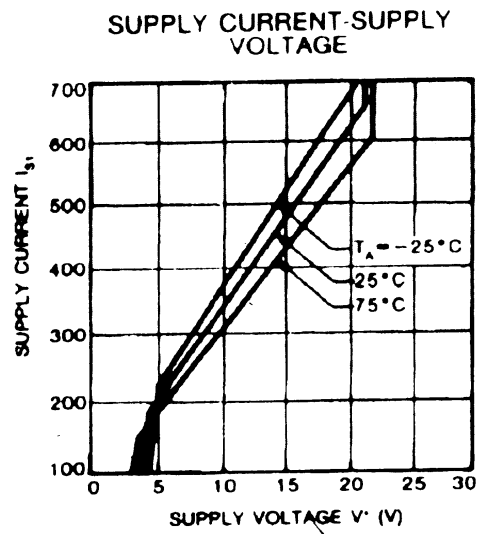
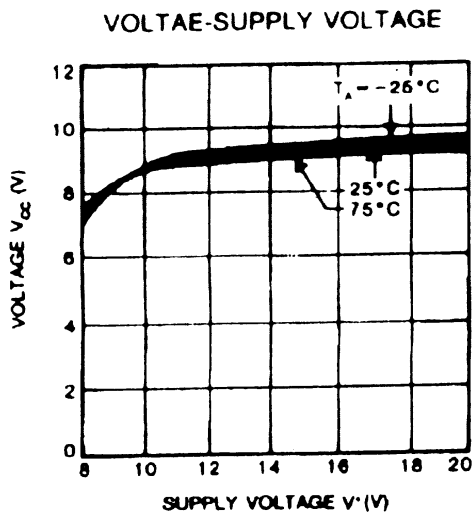
PARAMETER	SYMBOL	MIN.	TYP.	MAX	UNIT
Supply Voltage	V ⁺	12			V
V _S -GND Capacitor	C _{vs}	1			μF
O _S -GND Capacitor	C _{os}			1	μF

Electrical Characteristics

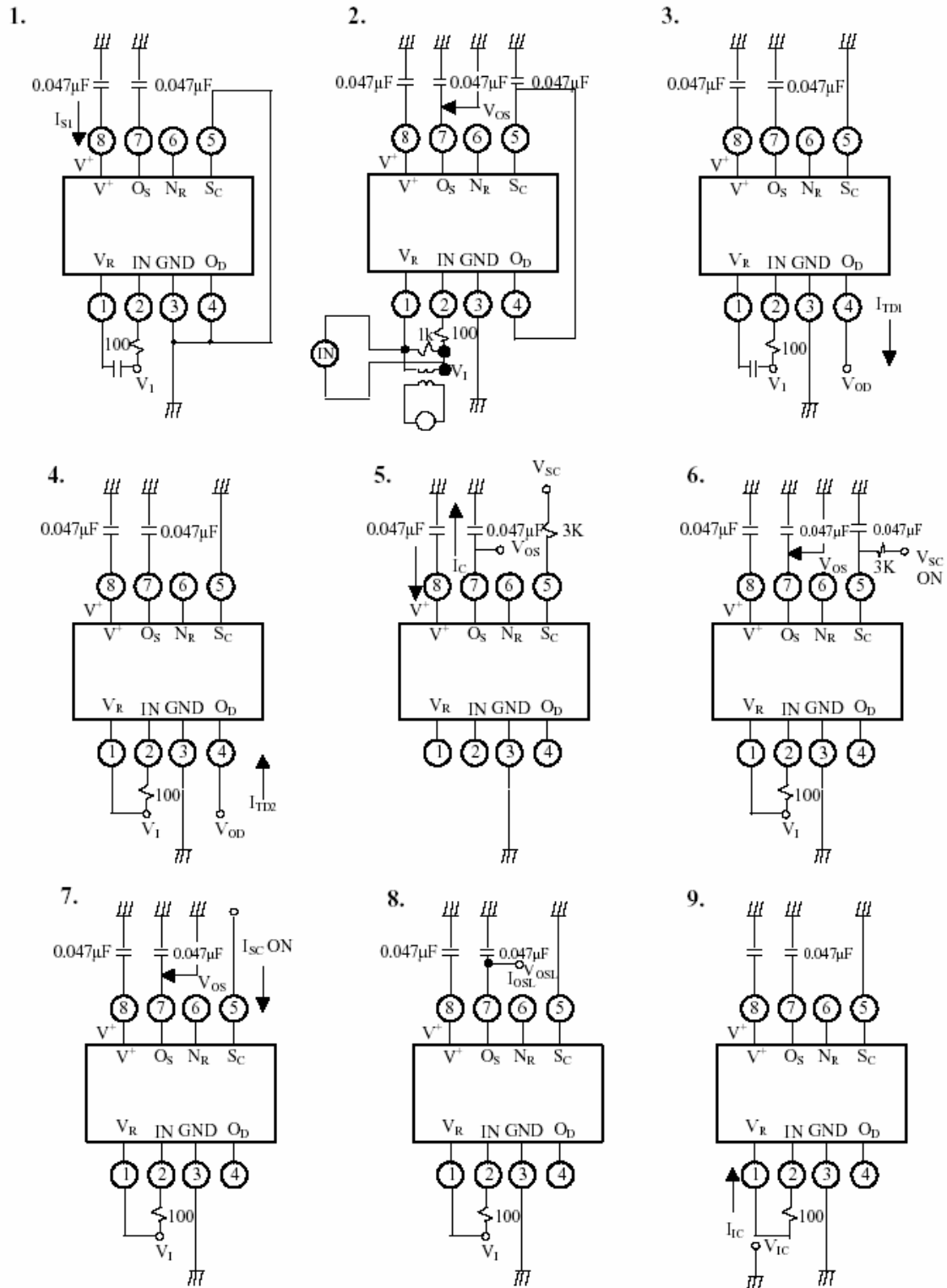
PARAMETER	SYMBOL	CONDITONS	TEMP. (°C)	MIN.	TYP.	MAX.	UNIT
Supply Current 1	I _{SI}	V ⁺ =12V, V _R - V _I = 30 mV	-30	-	-	580	μA
			25	-	400	530	
			85	-	-	480	
* Trip Voltage	V _T	V ⁺ = 16V, V _R - V _I = X	-30 85	9	13.5	18	mV (rms)
Differential Amplifier Output Current 1	I _{TD1}	V ⁺ = 16 V, V _R - V _I = 30 mV V _{OD} = 1.2 V	25	-12	-	-30	μA
Differential Amplifier Output current 2	I _{TD2}	V ⁺ = 16 V, V _R - V _I = short V _{OD} = 0.8 V	25	17	-	37	μA
Output Current	I _O	V _{sc} = 1.4 V V _{os} = 0.8 V	I _{SI} = 580μA	-30	-200	-	μA
			I _{SI} = 530μA	25	-100	-	
			I _{SI} = 480μA	85	-75	-	
S _C ON Voltage	V _{SC ON}	V ⁺ = 16 V	25	0.7	-	1.4	V
S _C Input Current	I _{SC ON}	V ⁺ = 12V	25	-	-	5	μA
Output "L" Current	I _{OSL}	V ⁺ = 12 V, V _{OSL} = 0.2 V	-30	200	-	-	μA
			85				
Input Clamp Voltage	V _{IC}	V ⁺ = 12 V, I _{IC} = 20 mA	-30	4.3	-	6.7	V
			85				
Differential Input Clamp Voltage	V _{IDC}	I _{IDC} = 100mA	-30	0.4	-	2	V
			85				
Max. Current Voltage	V _{SM}	I _{SM} = 7 mA	25	20	-	28	V
Supply Current 2	I _{S2}	V _{OS} = 0.5 V, V _R - V _I = X	-30	-	-	1200	μA
			85				
Latch Circuit Off Supply Voltage	V ⁺ OFF		25	0.5			V
Response Time	T _{ON}	V ⁺ = 16 V, V _R - V _I = 0.3 V	25	1	-	4	ms

* A: 9~12.5 B: 11.5~15.5 C: 14.5~18

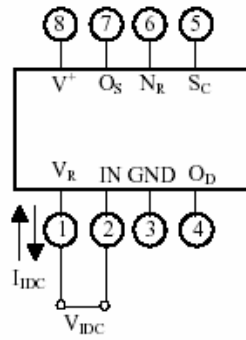
Typical Performance Curves



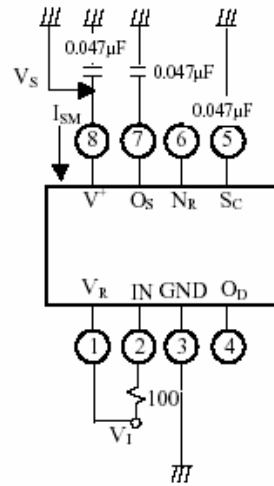
Test Circuit



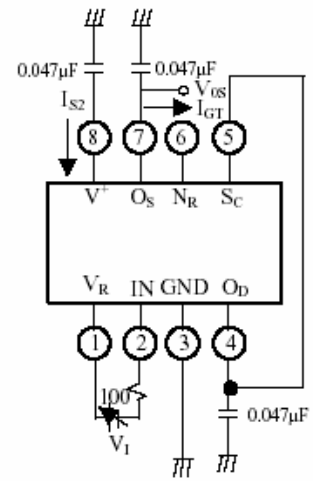
10.



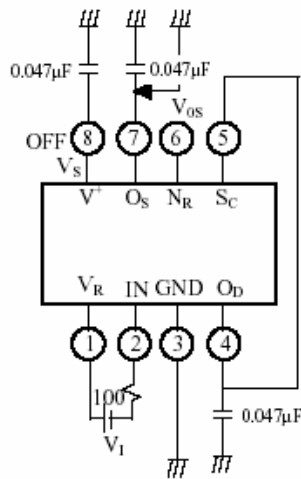
11.



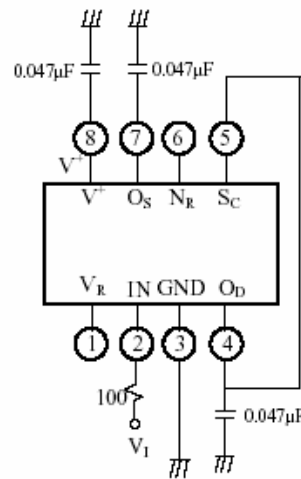
12.



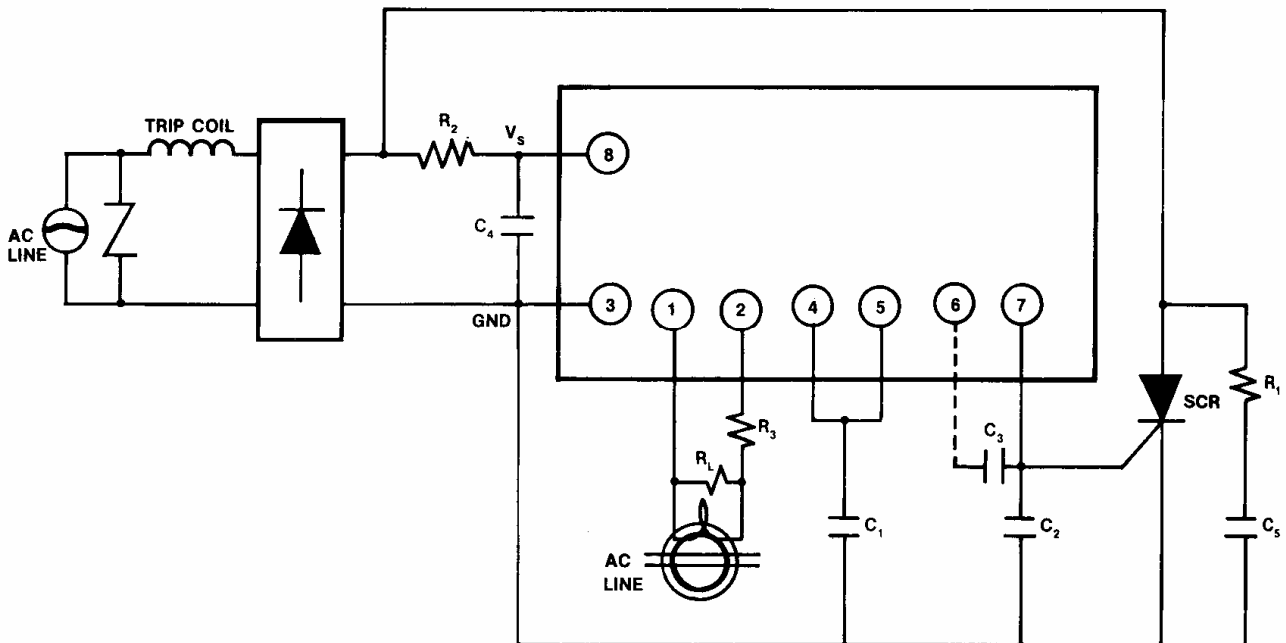
13.



14.



Typical Application



Supply voltage circuit is connected as a previous diagram. Please decide constants R_1 , R_2 , C_4 , and C_5 of a filter in order to keep at least 12V in V_s , when normal supply current flows.

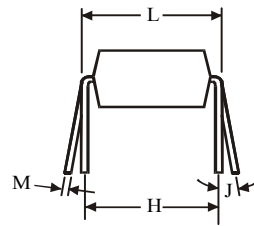
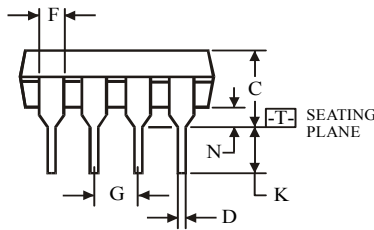
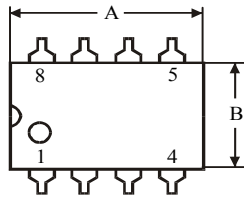
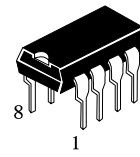
In this case, please connect C_4 (more than $1 \mu F$) and C_2 (less than $1 \mu F$). ZCT and load resistance R_L of ZCT are connected between input pin① and ②. In this case protective resistance ($R_3=100\Omega$) must be insulated. Sensitivity current is regulated by R_L , and output of amplifier shows in pin④. External capacitor C_1 between pin④ and GND is used for noise removal.

When large current is grounded in the primary side (AC line) of ZCT, the wave form in the secondary side of ZCT is distorted and some signals doesn't appear in the output of amplifier. So please connect a varistor or a diode (2pcs.) to ZCT in parallel.

Latch circuit is used to inspect the output level of amplifier and to supply gate current on the external SCR. When input pin becomes more than 1.1V (Typ.) latch circuit operates and supply gate current in the gate of SCR connected to the output pin⑦.

Pin⑥ can be used in the open state, but please connect capacitor (about $0.047 \mu F$) between pin⑥ and ⑦. Capacitor C_6 between pin① and GND is used to remove noise and is about $0.047 \mu F$.

**N SUFFIX PLASTIC DIP
(MS – 001BA)**



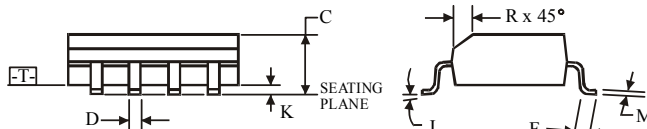
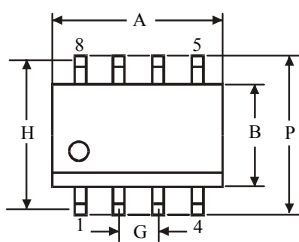
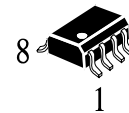
$\oplus 0.25 (0.010) \text{ (M) T}$

Dimension, mm		
Symbol	MIN	MAX
A	8.51	10.16
B	6.1	7.11
C		5.33
D	0.36	0.56
F	1.14	1.78
G	2.54	
H	7.62	
J	0°	10°
K	2.92	3.81
L	7.62	8.26
M	0.2	0.36
N	0.38	

NOTES:

- Dimensions “A”, “B” do not include mold flash or protrusions.
Maximum mold flash or protrusions 0.25 mm (0.010) per side.

**D SUFFIX SOIC
(MS - 012AA)**



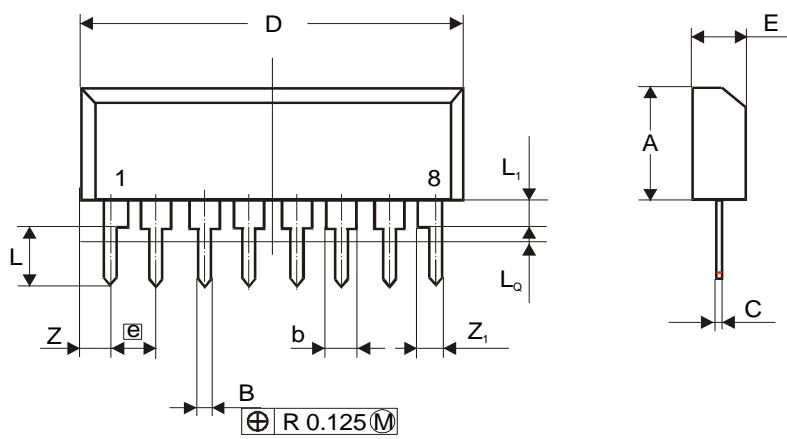
$\oplus 0.25 (0.010) \text{ (M) T C (M)}$

Dimension, mm		
Symbol	MIN	MAX
A	4.8	5
B	3.8	4
C	1.35	1.75
D	0.33	0.51
F	0.4	1.27
G	1.27	
H	5.72	
J	0°	8°
K	0.1	0.25
M	0.19	0.25
P	5.8	6.2
R	0.25	0.5

NOTES:

- Dimensions A and B do not include mold flash or protrusion.
- Maximum mold flash or protrusion 0.15 mm (0.006) per side for A; for B - 0.25 mm (0.010) per side.

8-Pin Plastic Single-in-Line (SIP)



Dimension	mm	
	min	max
A	6.24	6.60
B	0.40	0.54
b	1.15	1.40
C	0.23	0.35
D	19.68	20.20
E	2.675	2.925
e	2.54	
L	2.95	3.25
L1	1.61	1.97
L0		0.70
Z		1.21
Z1		1.40